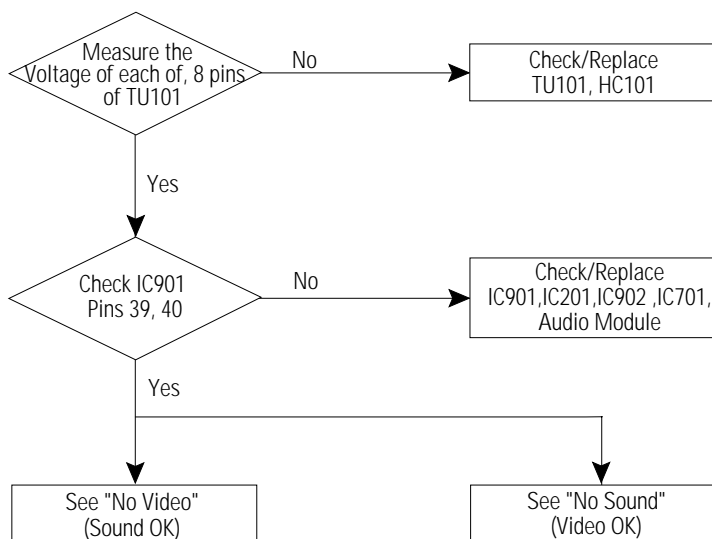
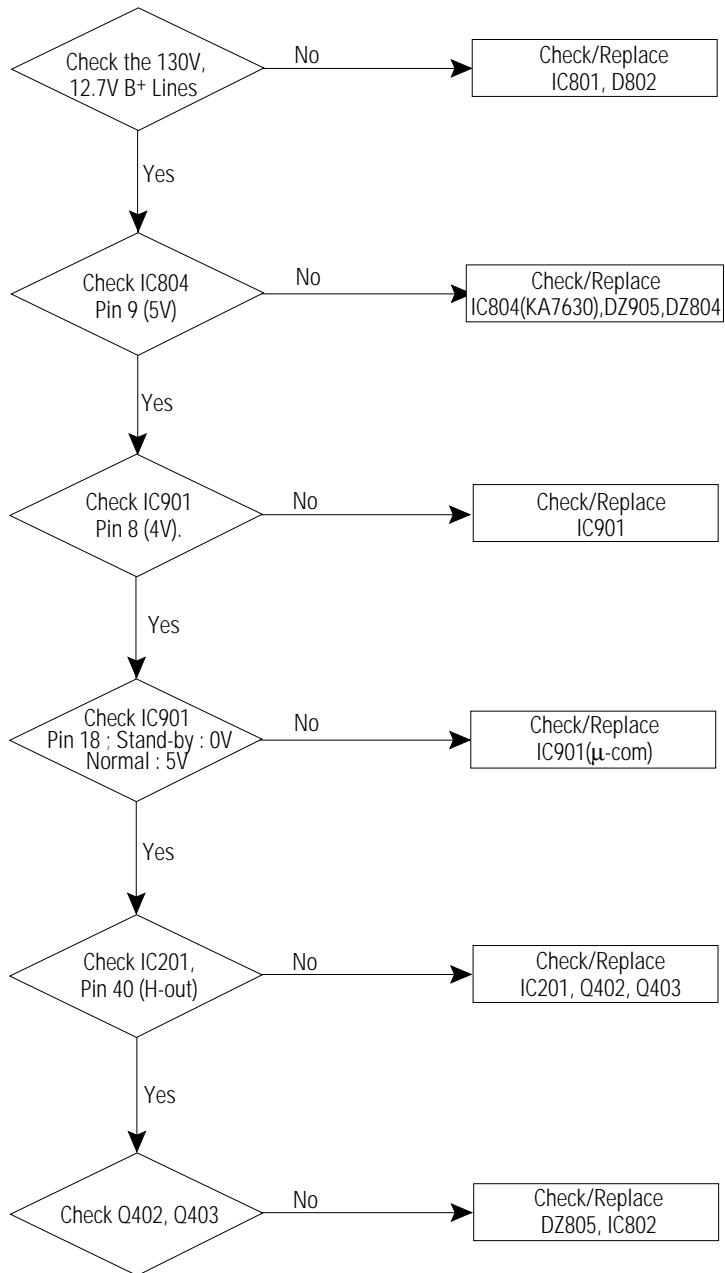


5. Troubleshooting

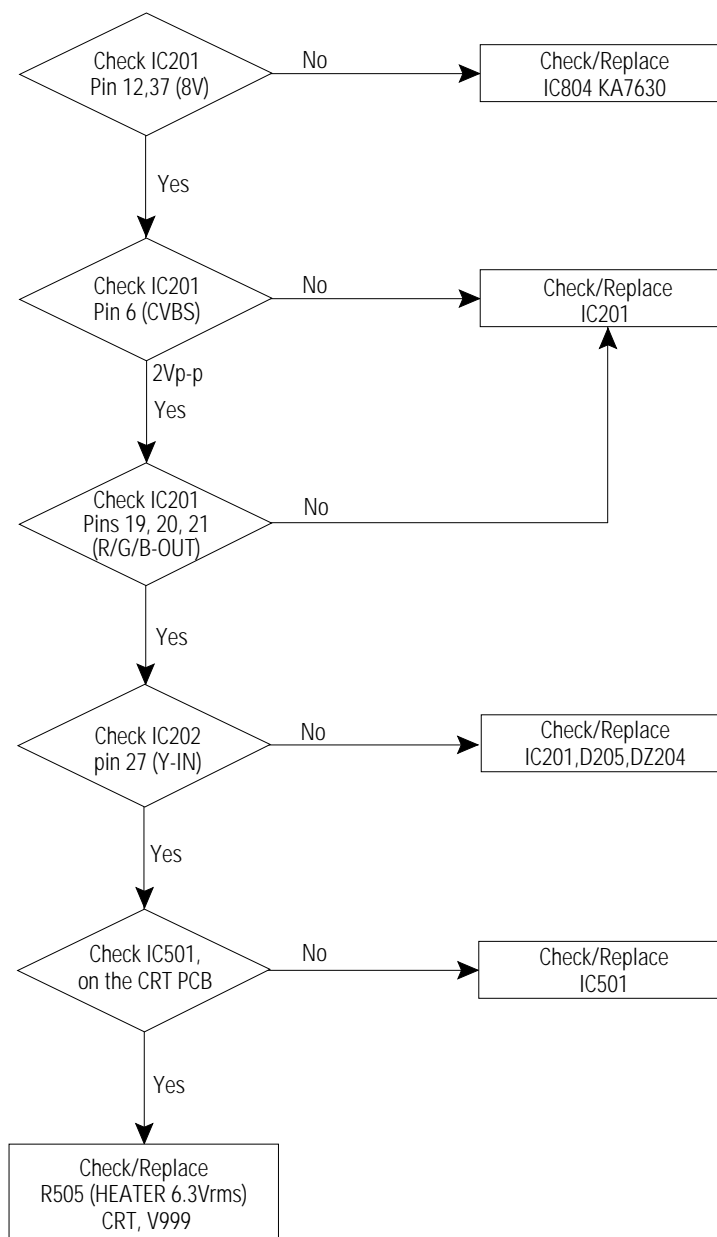
5-1 No Video (Raster On, No Sound)



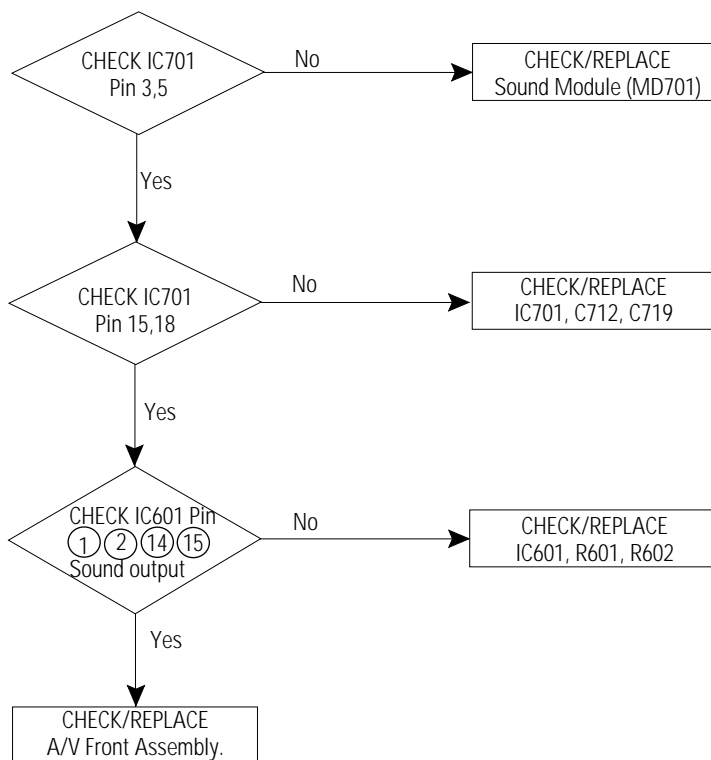
5-2 No Power



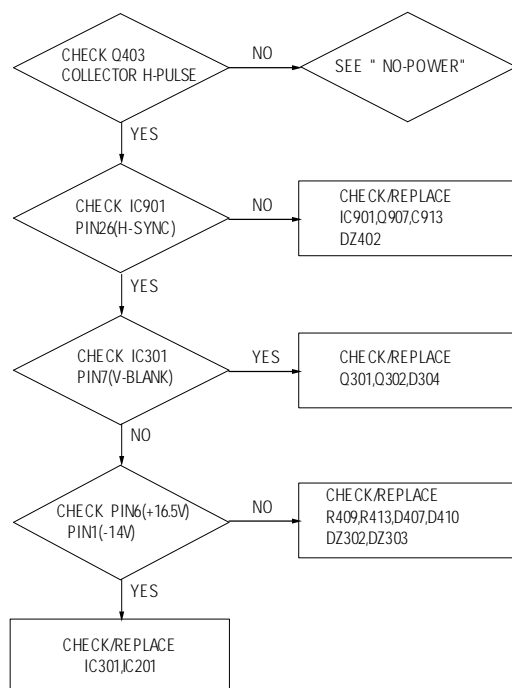
5-3 No Video (Sound OK)



5-4 No Sound (Video OK)



5-5 Power OFF/ON (Repeatedly)



5-6 SMPS (Power Supply) Does Not Function

- (1) When F802 is open:
Check/Replace F802 , IC801 , D802.
- (2) When F802 is okay, but SMPS does not function:
Check/Replace DZ801 , DZ808 , IC802 , DZ805.
- (3) Others: See "5. Troubleshooting"